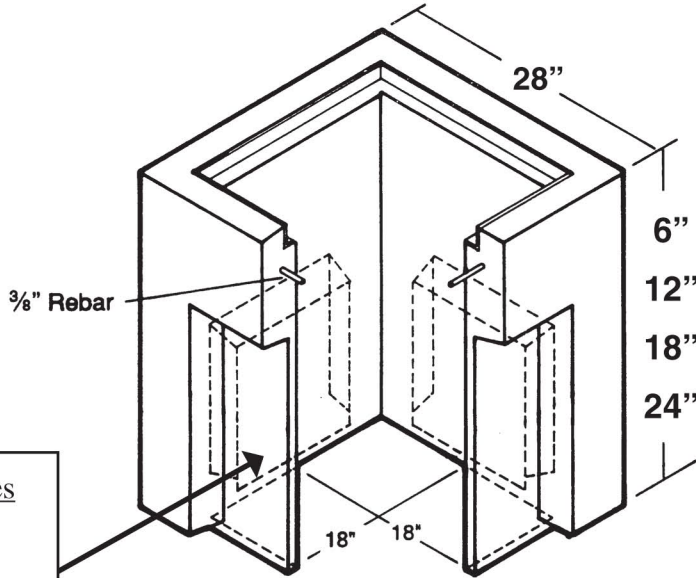


714 South Fee Ana St., Placentia, CA 92870-6705
 (714) 993-1706 • FAX (714) 993-6197

18 x 18 Drain Box Series 18" x 18" ID



Knock Out Sizes

| | |
|-----|---------------|
| 6" | None |
| 12" | None |
| 18" | (4) 11" x 14" |
| 24" | (4) 14" x 14" |

Box – No Frame

| | | |
|-----|-----------|----------|
| 6" | – DB1806X | 225 lbs. |
| 12" | – DB1812X | 450 lbs. |
| 18" | – DB1818X | 455 lbs. |
| 24" | – DB1824X | 615 lbs. |

Box with Frame

| | | |
|-----|-----------|----------|
| 6" | – DB1806F | 245 lbs. |
| 12" | – DB1812F | 460 lbs. |
| 18" | – DB1818F | 470 lbs. |
| 24" | – DB1824F | 625 lbs. |

