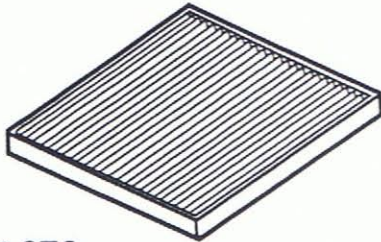


714 South Fee Ana St., Placentia, CA 92870  
 (714) 993-1706 • FAX (714) 993-6197

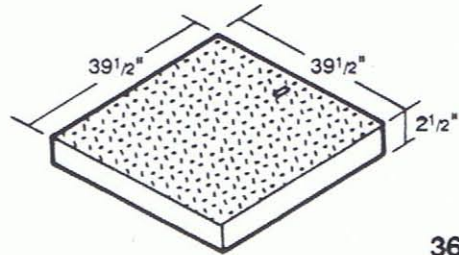
## 36 x 36 Drain Box Series

36" x 36" I.D.



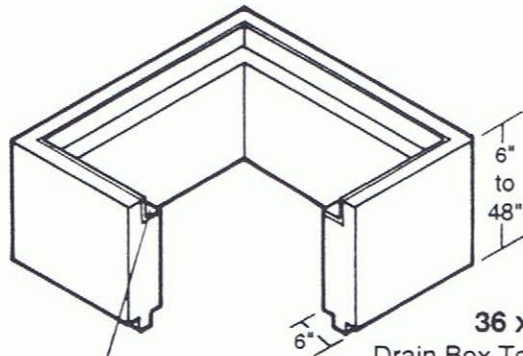
**36 x 36 STG**  
 Steel Traffic Grate  
 376 lbs.

**36 x 36 SPG**  
 Steel Parkway Grate  
 328 lbs.



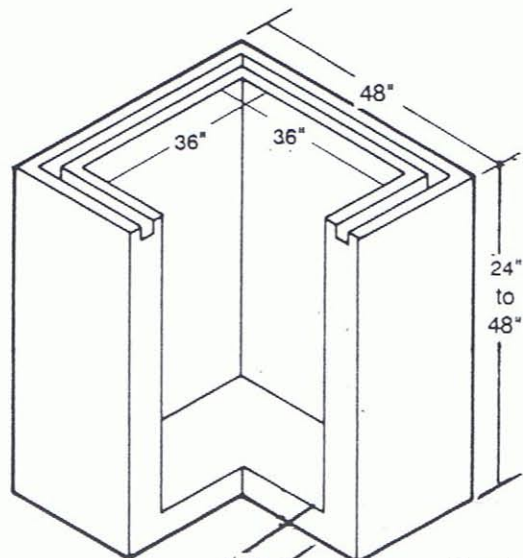
**36 x 36 DPT**  
 Diamond Plate Traffic Cover  
 225 lbs.

**36 x 36 DPP**  
 Diamond Plate Parkway Cover  
 180 lbs.



Steel Frame

**36 x 36 DBT**  
 Drain Box Top Section  
 6" Increments  
 6" - 525 lbs.  
 48" - 4,200 lbs.



**36 x 36 DBB**  
 Drain Box with Bottom  
 6" Increments  
 24" - 3,275 lbs.  
 48" - 5,375 lbs.

**INSTALLATION:**  
 Box to be placed  
 on 6" of compacted  
 sand or gravel.

Knockouts per  
 your specifications