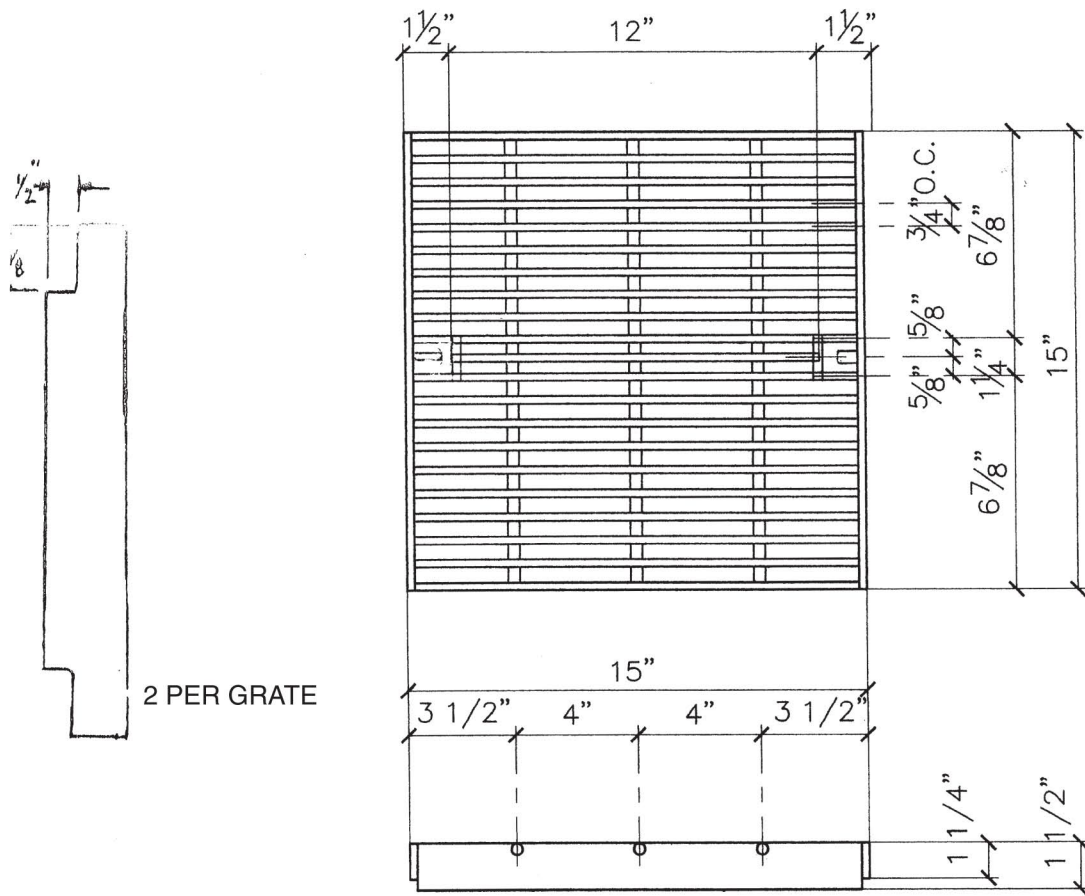


**ADA1212 Grate**

**ADA Traffic Grate for 12 X 12 Drain Box**



2 PER GRATE

36 lbs.

**NOTES: (Unless Otherwise Specified)**

- 1- All Items Hot-Dipped Galvanized After Fabrication Per ASTM-A123
- 2- Material: ASTM-A36 Milled Steel