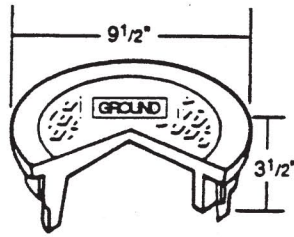
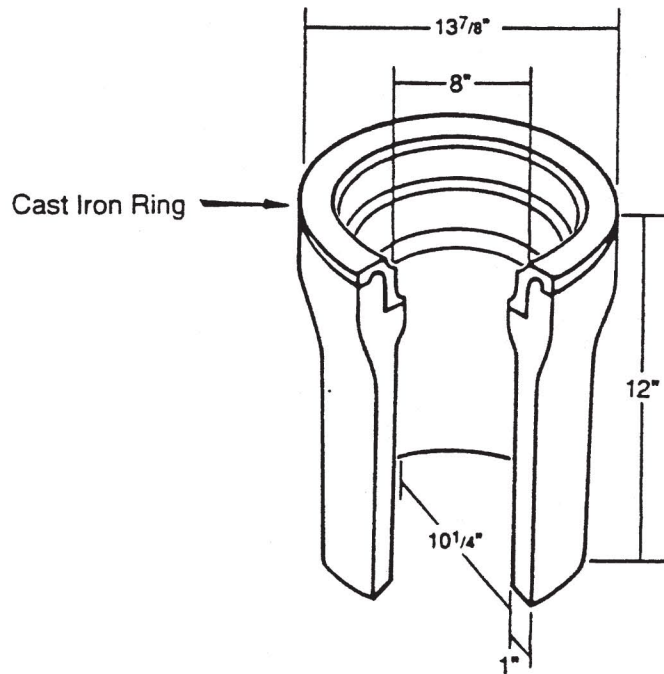


10

Electrical Series
10¹/₄" I.D.



W10VC
Cast Iron Cover
13 lbs.



W10VB
Valve Box
75 lbs.

STANDARD COVER MARKINGS:

- Ground
- Blank
- Detector

SPECIAL MARKINGS ON REQUEST