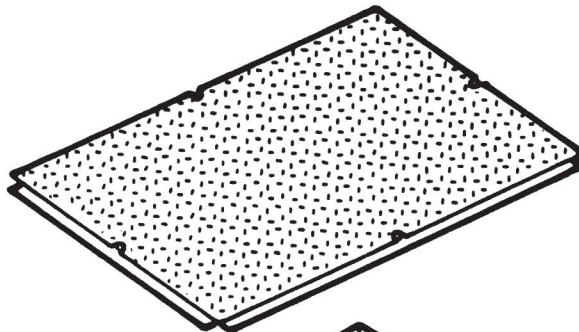


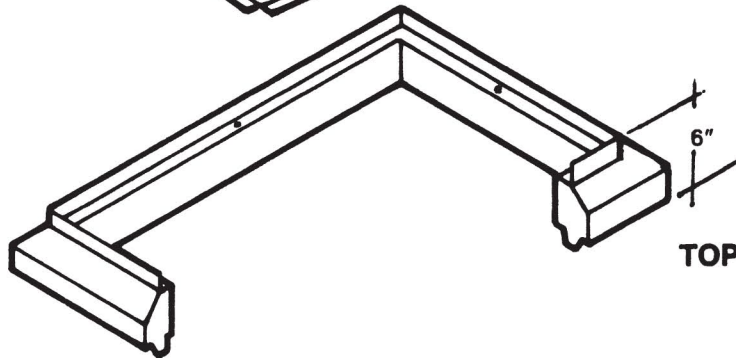
714 South Fee Ana St., Placentia, CA 92870-6705
 (714) 993-1706 • FAX (714) 993-6197

24x36 Pull Box Series
 Open Bottom
 24" x 36" I.D.



PARKWAY COVER
 90 lbs.

TRAFFIC COVER
 160 lbs.



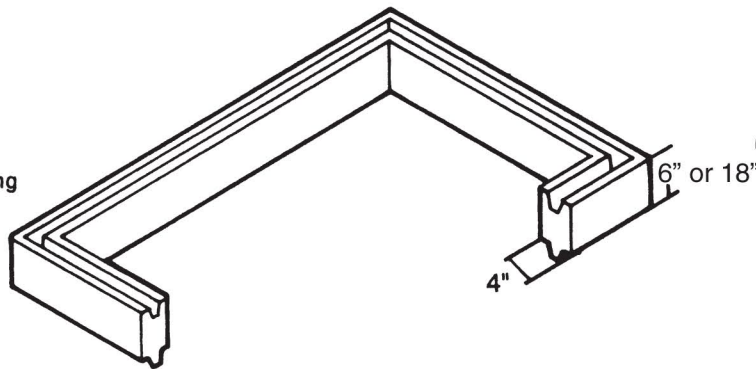
TOP SECTION
 300 lbs.

EXCAVATION
 36" Min. x 48" Min. x depth

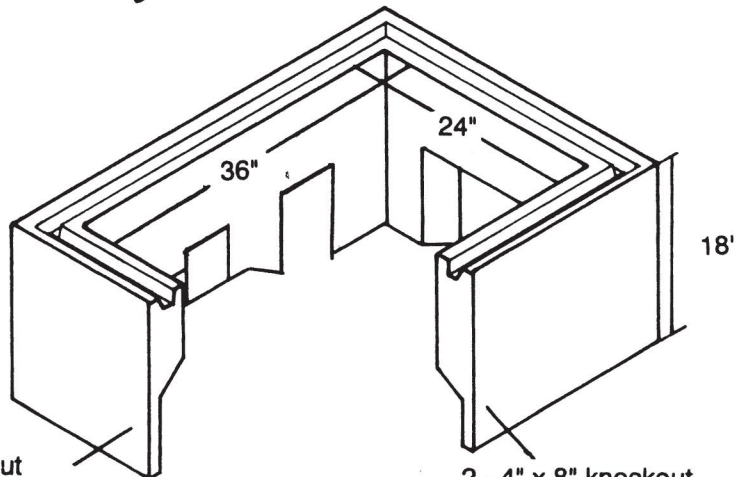
INSTALLATION
 Pull box to be placed on 6" of compacted base to insure uniform distribution of soil pressure on floor.

REINFORCEMENT
 Traffic use H-20-44 bridge loading

SPECIFICATIONS
 Concrete to be class "A" (3,000 P.S.I.) minimum.



GRADE RING
 810 lbs.



PULL BOX
 654 lbs.

8" x 11" knockout
 each end

2 - 4" x 8" knockout
 each side