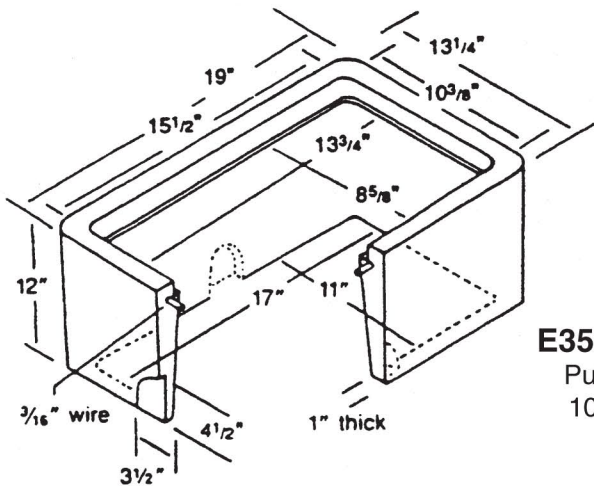
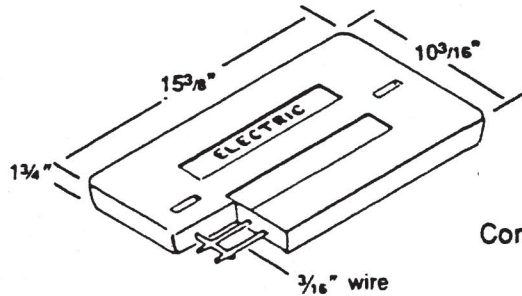


714 South Fee Ana St., Placentia, CA 92870
 (714) 993-1706 • FAX (714) 993-6197

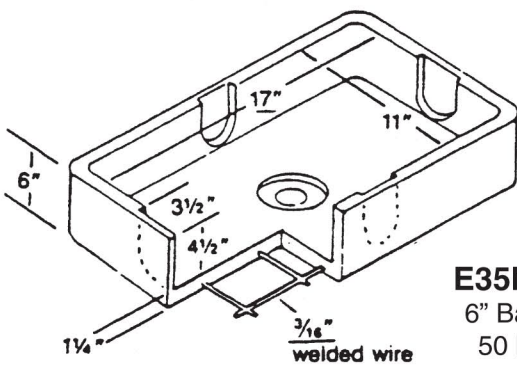
3 1/2" N Electrical Series 11" x 17"



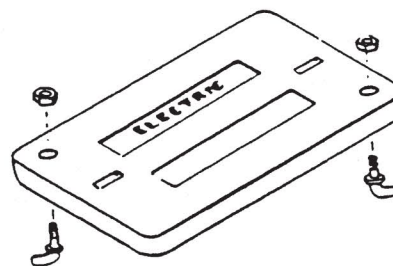
E35NPB
Pull Box
100 lbs.



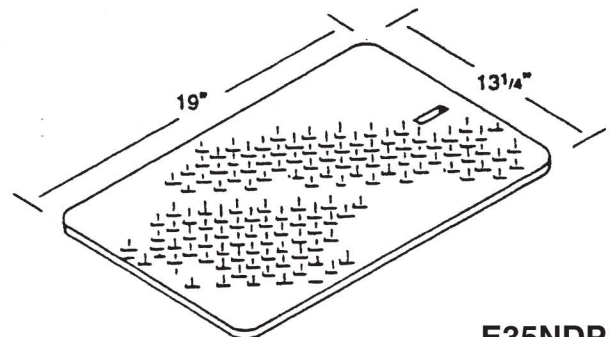
E35NNB
Concrete Cover
Non Bolt
18 lbs.



E35NB
6" Base
50 lbs.



E35NBD
Concrete Cover
Bolt Down
18 lbs.



E35NDP
1/4 Diamond Plate
Cover Bolt Down
20 lbs.

STANDARD COVER MARKINGS:

- Electric
- Street Ltg.
- Traffic Signal
- Edison
- Caltrans
- Telephone
- Cable T.V.

SPECIAL MARKINGS ON REQUEST