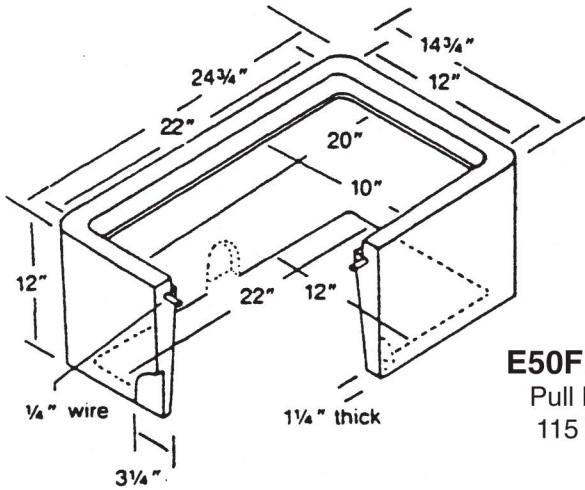
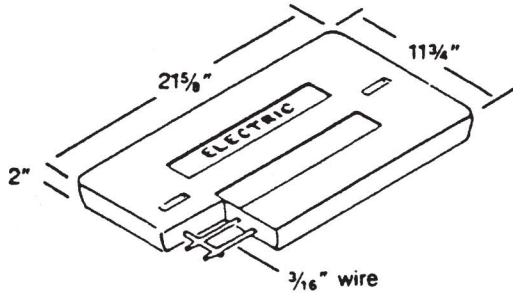


714 South Fee Ana St., Placentia, CA 92870
 (714) 993-1706 • FAX (714) 993-6197

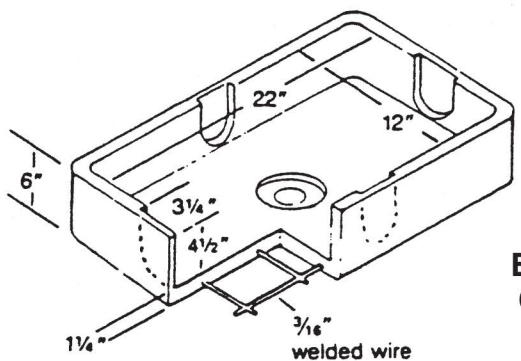
5F Electrical Series 12" x 22"



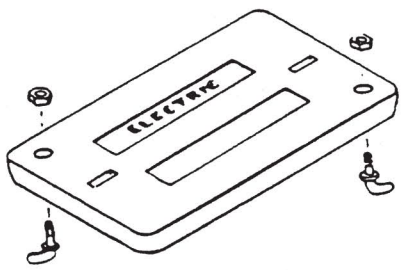
E50FPB
Pull Box
115 lbs.



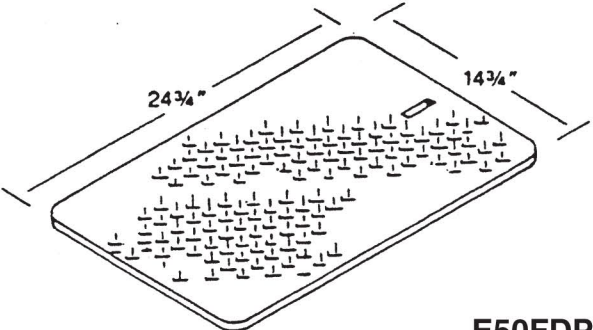
E50FNB
Concrete Cover
Non Bolt
36 lbs.



E50FB
6" Base
85 lbs.



E50FBD
Concrete Cover
Bolt Down
36 lbs.



E50FDP
1/4 Diamond Plate
Cover Bolt Down
30 lbs.

- STANDARD COVER MARKINGS:**
- Electric
 - Street Ltg.
 - Traffic Signal
 - Edison
 - Telephone
 - Cable T.V.
- SPECIAL MARKINGS ON REQUEST