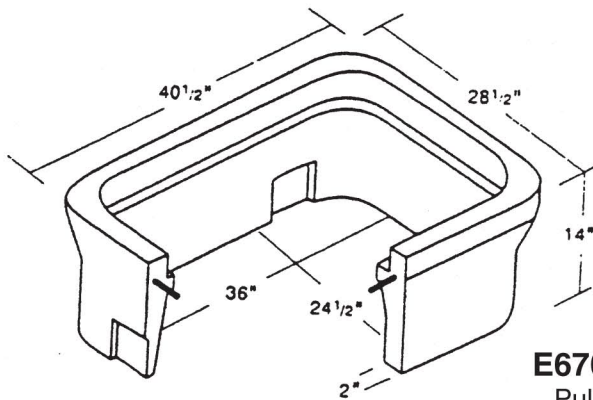
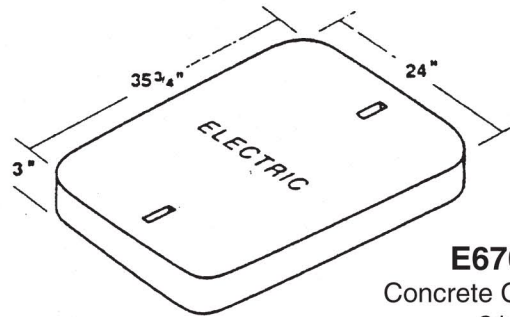


**67**

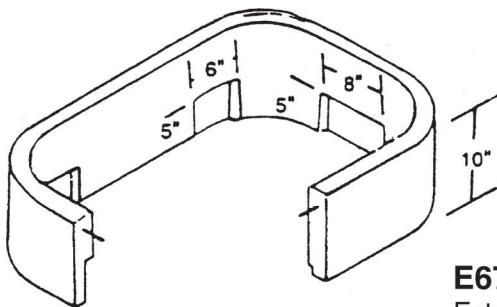
**Electrical Series**  
 24<sup>3</sup>/<sub>4</sub>" x 36" I.D.



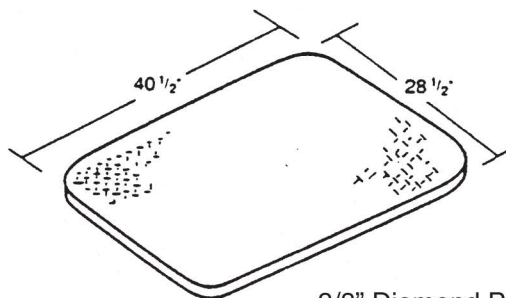
**E670PB**  
 Pull Box  
 310 lbs.



**E670CC**  
 Concrete Cover  
 210 lbs.



**E670EX**  
 Extension  
 210 lbs.



**E670DP**  
 3/8" Diamond Plate Cover  
 130 lbs.