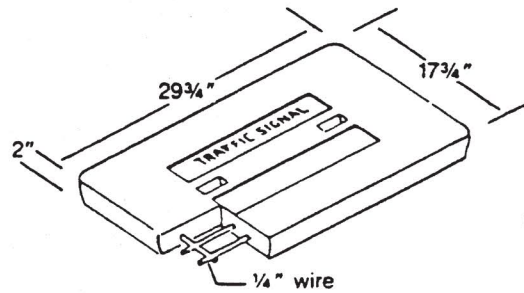


EISEL ENTERPRISES INC.

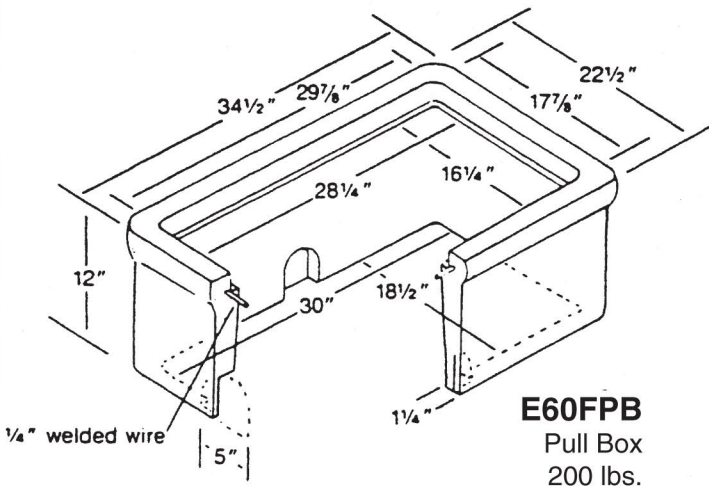
PRECAST CONCRETE PRODUCTS

714 South Fee Ana St., Placentia, CA 92870
 (714) 993-1706 • FAX (714) 993-6197

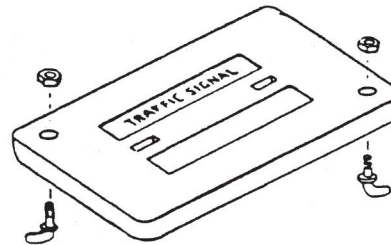
6F Electrical Series 18 1/2" x 30"



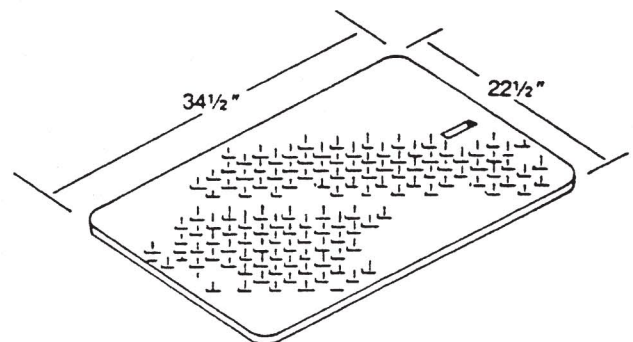
E60FNB
 Concrete Cover
 Non Bolt
 74 lbs.



E60FPB
 Pull Box
 200 lbs.



E60FBD
 Concrete Cover
 Bolt Down
 74 lbs.



E60FDP
 3/8 Diamond Plate
 Cover Bolt Down
 89 lbs.

- STANDARD COVER MARKINGS:**
- Traffic Signal
 - Street Lt.
 - Street Lt.
High Voltage
- SPECIAL MARKINGS ON REQUEST