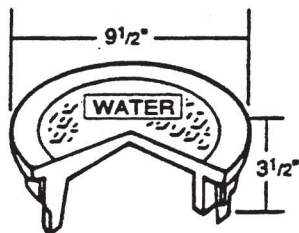
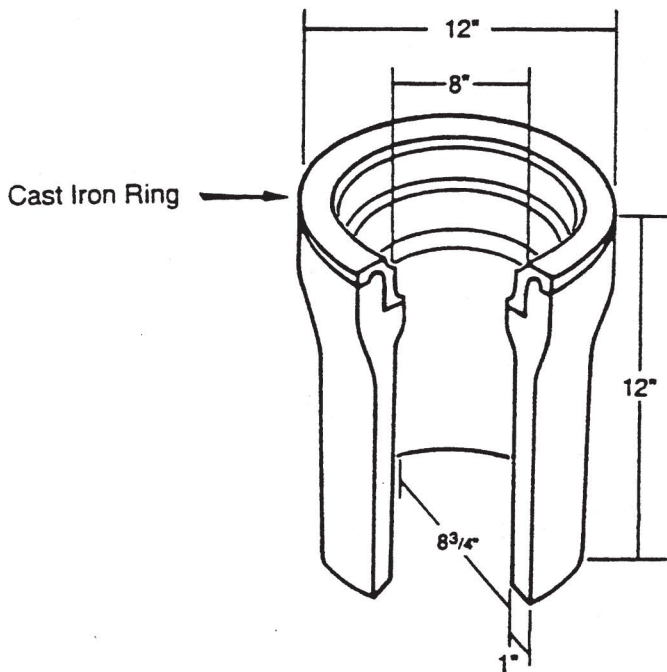


2 Valve Box Series
 8³/₄" I.D.



W20VC
 Cast Iron Cover
 13 lbs.



W20VB
 Valve Box
 50 lbs.

STANDARD COVER MARKINGS:

- C.O.
- Ground
- Reclaimed Water
- Sewer
- Water
- Blank

SPECIAL MARKINGS ON REQUEST