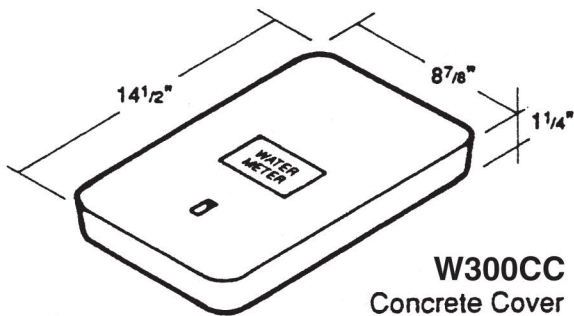
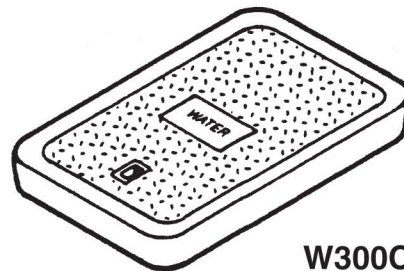


714 South Fee Ana St., Placentia, CA 92870  
 (714) 993-1706 • FAX (714) 993-6197

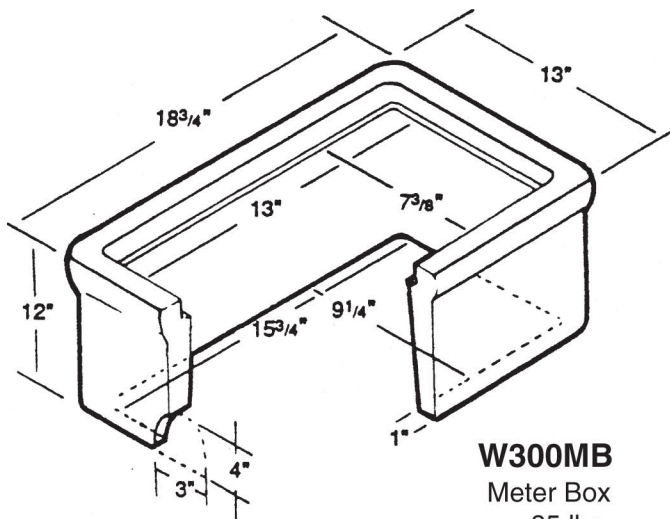
## 3 Water Series 9 1/4" x 15 3/4" I.D.



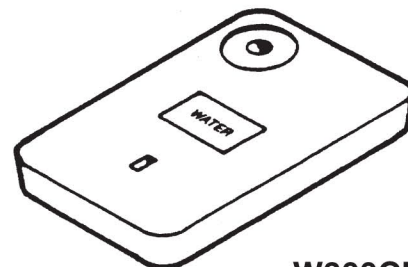
**W300CC**  
 Concrete Cover  
 16 lbs.



**W300CI**  
 Cast Iron Cover  
 11 lbs.



**W300MB**  
 Meter Box  
 85 lbs.

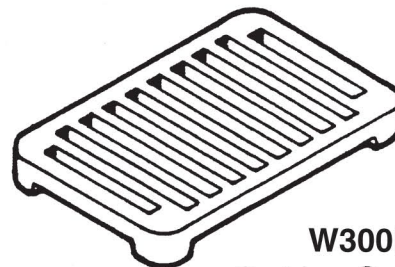


**W300CR**  
 Concrete Cover for Rockwell  
 15 lbs.

**STANDARD COVER MARKINGS:**

- Water
- Sewer
- Water Meter
- RCV
- Gas

SPECIAL MARKINGS ON REQUEST



**W300IG**  
 Cast Iron Grate  
 16 lbs.

\* Steel Diamond Plate Covers Available