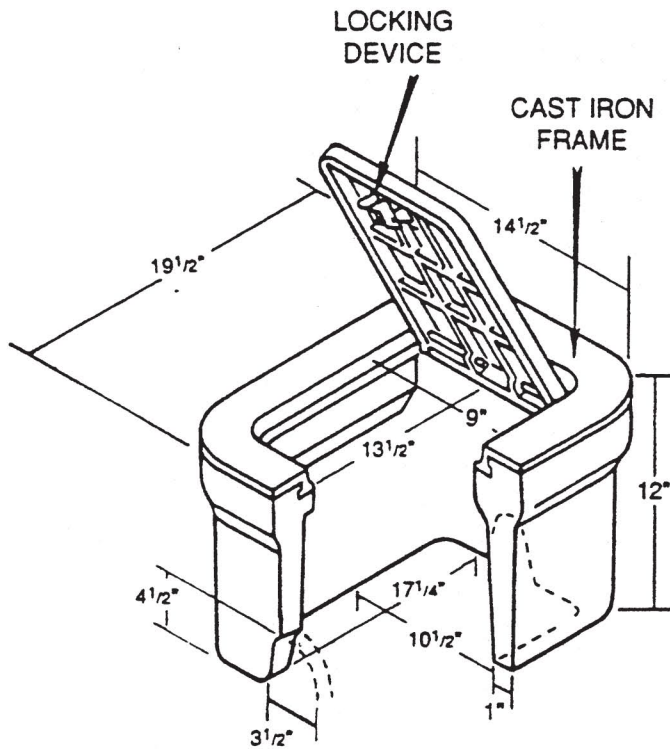




714 South Fee Ana St., Placentia, CA 92870
 (714) 993-1706 • FAX (714) 993-6197

363¹/₂HFL Utility Box Series
 10¹/₂" x 17¹/₄"



W363HFL
 Box w/hinged Cast Iron Cover
 (locking)
 115 lbs.

W363HF
 Box w/hinged Cast Iron Cover
 (not locking)
 115 lbs.

STANDARD COVER MARKINGS:

- Blank
- GV
- QCV
- RCV
- Water
- Ground

SPECIAL MARKINGS ON REQUEST