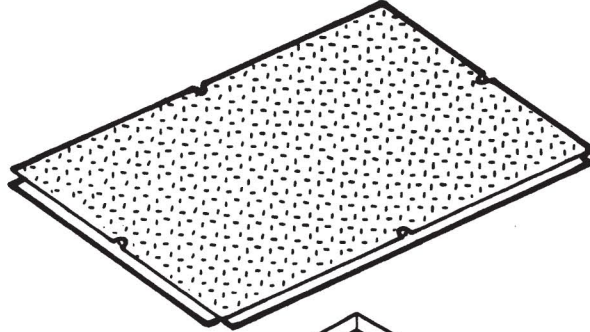


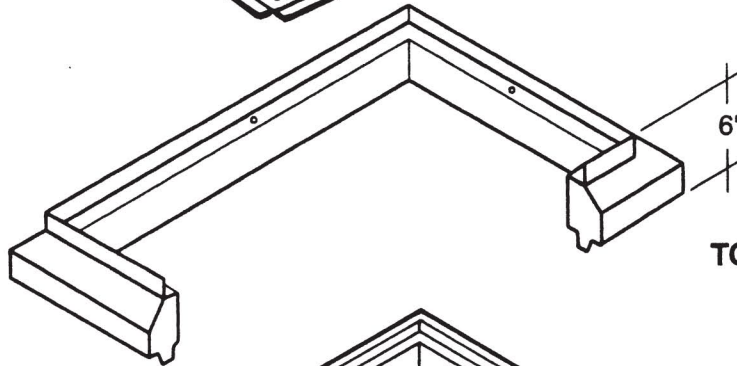
714 South Fee Ana St., Placentia, CA 92870
 (714) 993-1706 • FAX (714) 993-6197

24x36 Pull Box Series 24" x 36" I.D.

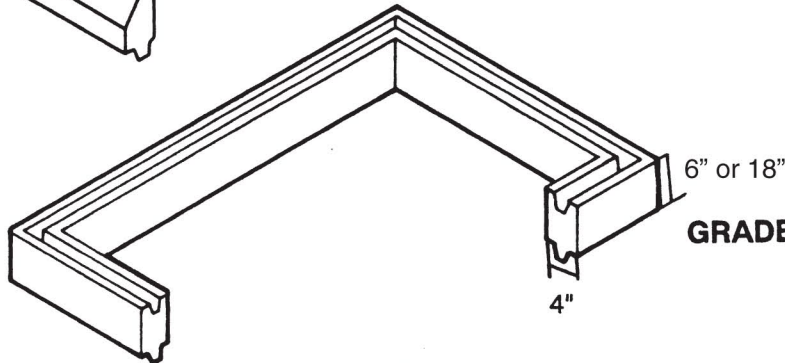


PARKWAY COVER
 90 lbs.

TRAFFIC COVER
 160 lbs.



TOP SECTION
 300 lbs.



GRADE RING
 810 lbs.

EXCAVATION

36" Min. x 48" Min. x depth

INSTALLATION

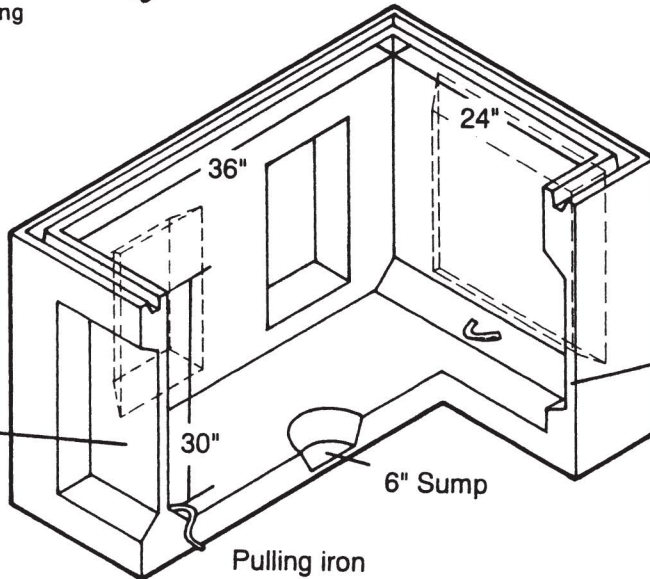
Pull box to be placed on 6" of compacted base to insure uniform distribution of soil pressure on floor.

REINFORCEMENT

Traffic use H-20-44 bridge loading

SPECIFICATIONS

Concrete to be class "A" (3,000 P.S.I.) minimum.



16" x 18" knockout each end

36"

30"

6" Sump

Pulling iron each end

24"

2 - 10" x 18" knockout each side

PULL BOX
 1,800 lbs.