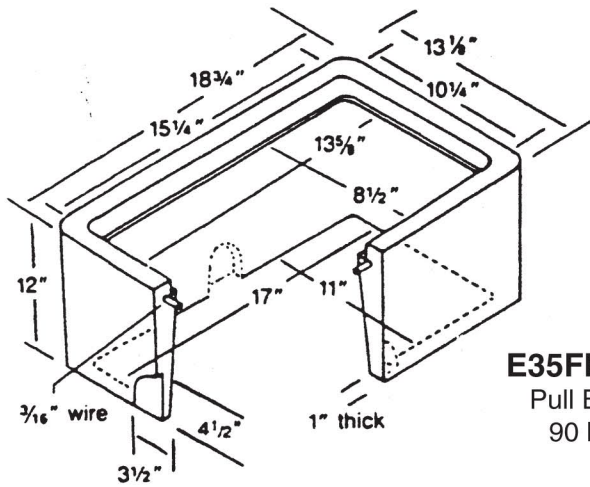
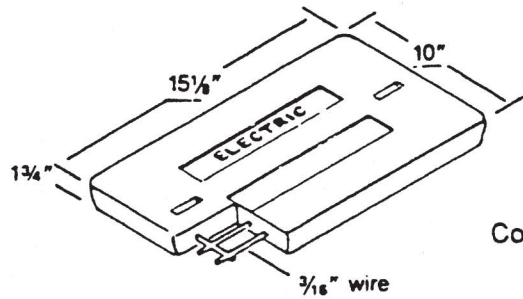


714 South Fee Ana St., Placentia, CA 92870
 (714) 993-1706 • FAX (714) 993-6197

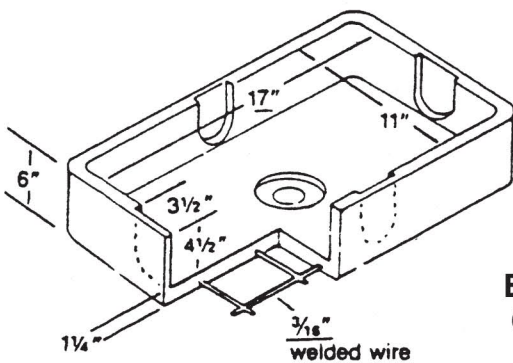
3 1/2 F Electrical Series 11" x 17"



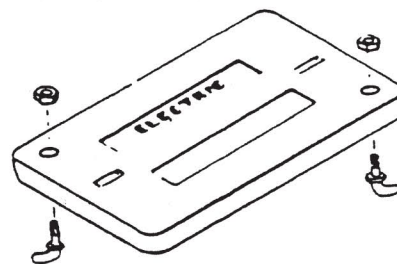
E35FPB
Pull Box
90 lbs.



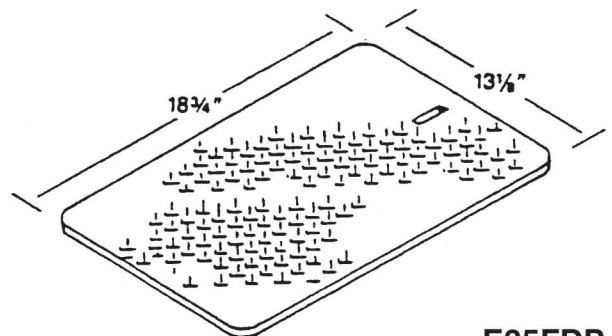
E35FNB
Concrete Cover
Non Bolt
18 lbs.



E35FB
6" Base
21 lbs.



E35FBD
Concrete Cover
Bolt Down
18 lbs.



E35FDP
1/4 Diamond Plate
Cover Bolt Down
20 lbs.

STANDARD COVER MARKINGS:

- Electric
- Street Ltg.
- Traffic Signal
- Edison
- Caltrans
- Telephone
- Cable T.V.

SPECIAL MARKINGS ON REQUEST