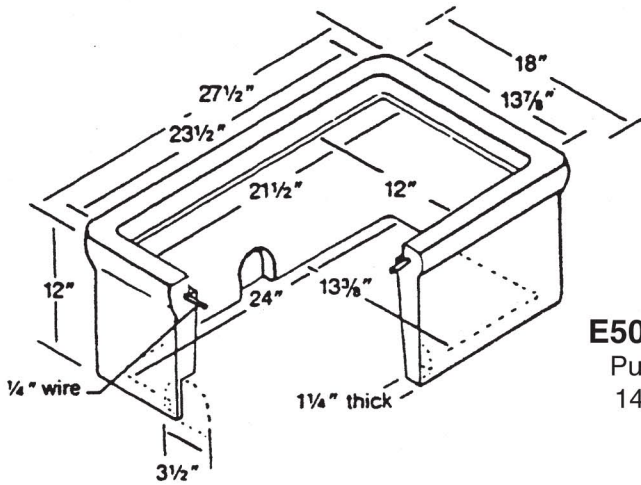
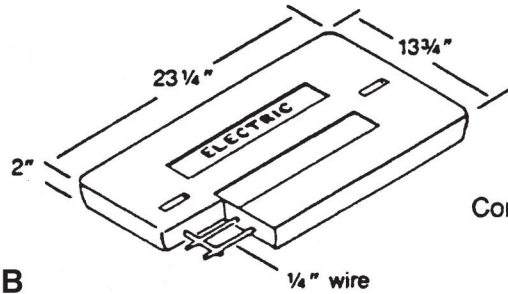


714 South Fee Ana St., Placentia, CA 92870
 (714) 993-1706 • FAX (714) 993-6197

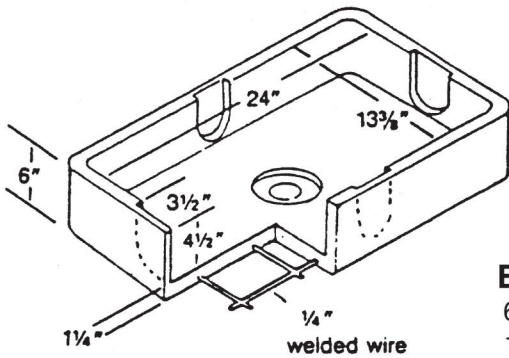
5 (438) **Electrical Series**
 13 3/8" x 24"



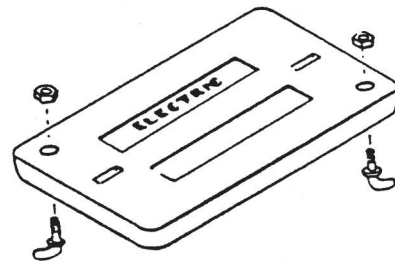
E500PB
 Pull Box
 145 lbs.



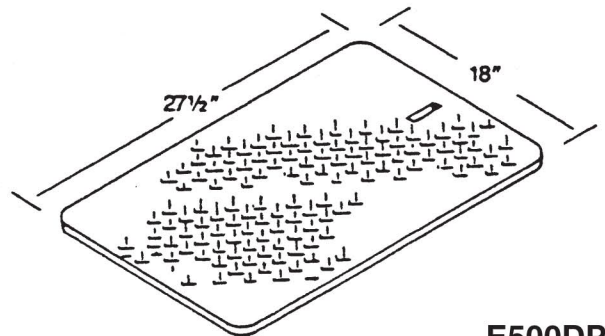
E500NB
 Concrete Cover
 Non Bolt
 47 lbs.



E500B
 6" Base
 112 lbs.



E500BD
 Concrete Cover
 Bolt Down
 47 lbs.



E500DP
 1/4 Diamond Plate Traffic
 Cover Bolt Down
 41 lbs.

- STANDARD COVER MARKINGS:**
- Electric
 - Street Ltg.
 - Traffic Signal
 - Edison
 - Caltrans
 - Telephone
 - Cable T.V.
- SPECIAL MARKINGS ON REQUEST