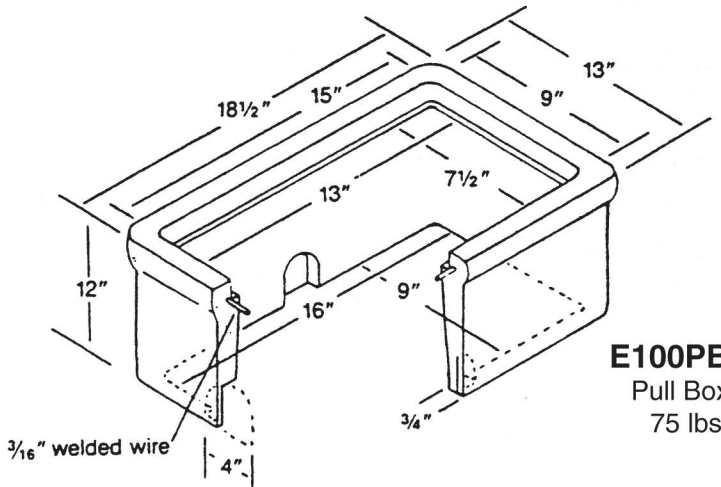
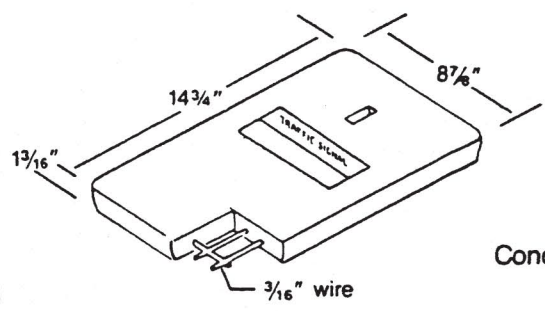


714 South Fee Ana St., Placentia, CA 92870
 (714) 993-1706 • FAX (714) 993-6197

TYPE I Electrical Series 9" x 16" (City of L.A. Spec.)

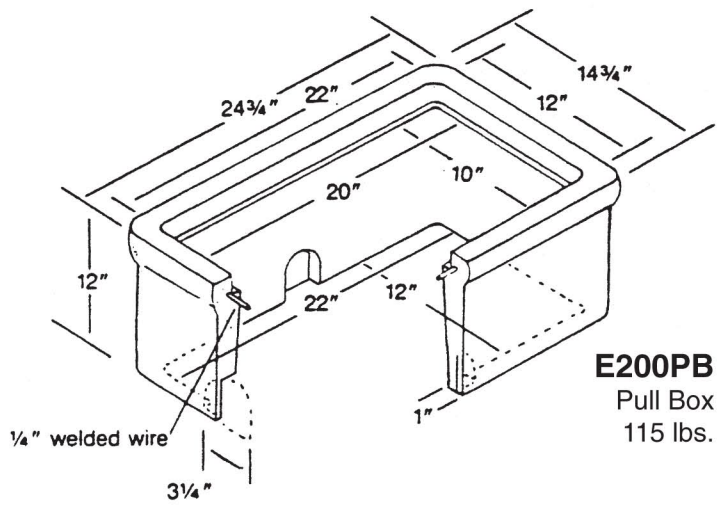


E100PB
Pull Box
75 lbs.

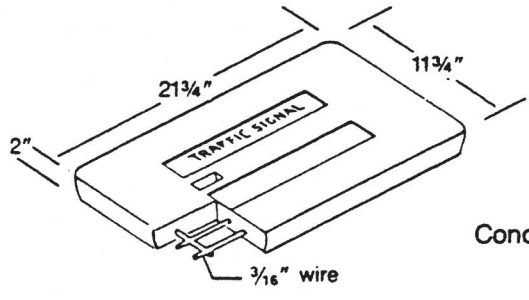


E100NB
Concrete Cover
Non Bolt
17 lbs.

TYPE II Electrical Series 12" x 22" (City of L.A. Spec.)

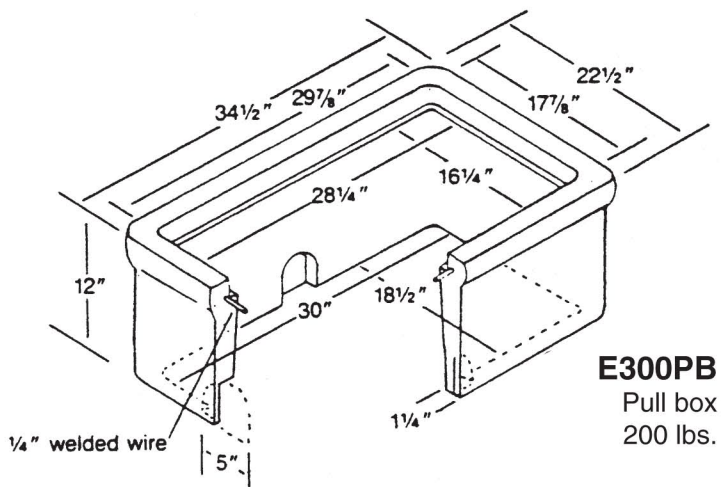


E200PB
Pull Box
115 lbs.

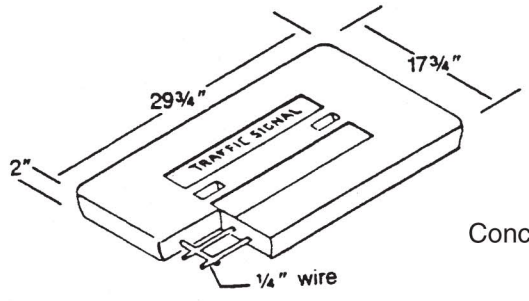


E200NB
Concrete Cover
Non Bolt
36 lbs.

TYPE III Electrical Series 18 1/2" x 30" (City of L.A. Spec.)



E300PB
Pull box
200 lbs.



E300NB
Concrete Cover
Non Bolt
74 lbs.

STANDARD COVER MARKINGS:

- Traffic Signal
- Street Lighting
High Voltage

SPECIAL MARKINGS ON REQUEST